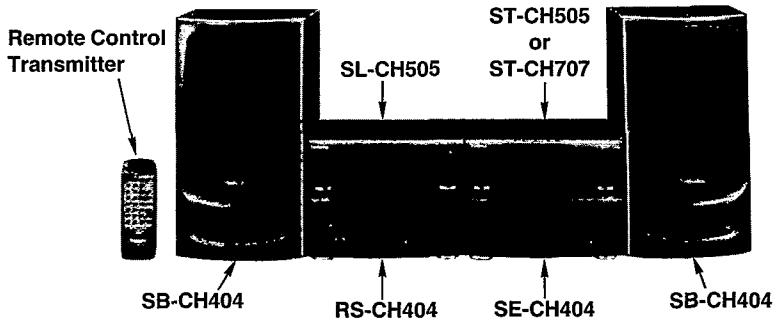


# Service Manual

Amplifier

Amplifier

SE-CH404



Because of unique interconnecting cables, when a component requires service, send or bring in the entire system.

Colour

(K) . . . . Black Type

## Areas

Suffix for Model No.	Area	Colour
(E)	Europe	(K)
(EB)	Great Britain	
(EG)	Germany and Italy	
(GC)	Asia, Latin America, Middle Near East and Africa	
(GN)	Oceania	

System: SC-CH404

## Specifications

## Power output

DIN 1 kHz, THD 1%, both channel driven

For (E) (EB) (EG) areas 2×35 W (6Ω)  
 For (GC) (GN) areas 2×50 W (6Ω)

## Total harmonic distortion

Rated power at 1 kHz 1% (6Ω)  
 Half power at 1 kHz 0.09% (6Ω)

## Load impedance

MAIN 6~8Ω  
 SURROUND 8Ω

S/N (rated power) 84 dB

Frequency response 40 Hz~30 kHz (-3 dB)

Input: MIC; 600Ω, Ø6.2

Output: HEADPHONE; 32Ω, Ø3.5

## ■ General

## Power consumption

For (E) (EB) (EG) areas 128 W  
 For (GC) (GN) areas 163 W

## Power supply

For (E) (EG) areas 230 V, AC 50/60 Hz  
 For (EB) (GN) areas 230 V~240 V, AC 50/60 Hz  
 For (GC) area 110/127/220/240 V, AC 50/60 Hz

Dimensions (W×H×D) 270×118.5×336 mm

## Weight

For (E) (EB) (EG) areas 4.2 kg  
 For (GC) (GN) areas 4.4 kg

## Notes:

- Weights and dimensions shown are approximate.
- Design and specifications are subject to change without notice.
- Total harmonic distortion is measured by the digital spectrum analyzer.

System	Tuner	Compact disc player	Amplifier	Cassette deck	Speakers
SC-CH404	ST-CH505; (E) (EB) (EG) (GN) areas ST-CH707; (GC) area	SL-CH505	SE-CH404	RS-CH404	SB-CH404 * <sup>1</sup> (E) (EB)(EG) areas * <sup>2</sup> (GC) (GN) areas

\*<sup>1</sup>Made in PAES\*<sup>2</sup>Made in NABEL

# Technics

## ■ Contents

	Page		Page
●BEFORE REPAIR .....	2	●DISASSEMBLY INSTRUCTIONS .....	11~14
●PROTECTION CIRCUITRY .....	2	●BLOCK DIAGRAM .....	15
●BEFORE USE FOR (GC) AREA .....	2	●SCHEMATIC DIAGRAM .....	16~18
●CAUTION FOR AC MAINS LEAD .....	3	●PRINTED CIRCUIT BOARD DIAGAM .....	19~21
●ACCESSORIES .....	3	●WIRING CONNECTION DIAGRAM .....	21
●STAKING THE COMPONENTS .....	5	●REPLACEMENT PARTS LIST .....	22~25
●CONNECTIONS .....	6~9	●CABINET PARTS LOCATION .....	26
●LOCATION OF CONTROLS .....	10	●PACKAGING .....	27, 28
●POWER ON/OFF FOR POWER AMPLIFIER SE-CH404 .....	10		

## ■ Before Repair

- (1) Turn off the power supply. Using a 10Ω, 10 W resistor, connect both ends of power supply capacitors (C701, C702) in order to discharge the voltage.
- (2) Before turning the power supply on, after completion of repair, slowly apply the primary voltage by using a power supply voltage controller to make sure that the consumed current at 50/60 Hz in NO SIGNAL mode is mode should be shown below with respect to supply voltage 110 V/127 V/ 220 V/240 V.

Power supply voltage	AC 110~127 V	AC 220~240 V	AC 230 V	AC 240 V
Consumed current 50 Hz	150~270 mA	50~160 mA	50~130 mA	for (EB) 50~130 mA, for (GN) 60~140 mA

## ■ Protection Circuitry

The protection circuitry may have operated if either of the following conditions is noticed:

\*No sound is heard when the power is switched ON.

\*Sound stops during a performance.

The functions of this circuitry is to prevent circuitry damage if, for example, the positive and negative speaker connection wires are "shorted", or if speaker systems with an impedance less than the indicated rated impedance of this unit are used.

If this occurs, follow the procedure outlined below:

1. Switch OFF the power.
2. Determine the cause of the problem and correct it.
3. Switch ON the power once again.

### Note:

When the protection circuitry functions, the unit will not operate unless the power is first switched OFF and then ON again.

## ■ Before Use for (GC) Area

Be sure to disconnect the mains cord before adjusting the voltage selector.

Use a minus (–) screwdriver to set the voltage selector (on the bottom of the tuner amplifier) to the voltage setting for the area in which the unit will be used.

(If the power supply in your area is 117 V or 120 V, set to the "127 V" position.)

Note that this unit will be seriously damaged if this setting is not made correctly. (There is no voltage selector for some countries; the correct voltage is already set.)

**THIS TUNER/RECEIVER IS CAPABLE OF RECEIVING THE NEW AM STEREO BROADCASTS FROM THE AM BAND RADIO STATIONS. HOWEVER LIKE MANY TUNERS AND RECEIVERS CURRENTLY AVAILABLE ON THE MARKET IT WILL REPRODUCE THIS AM STEREO SIGNAL ONLY IN AM MONO, WHICH, IN EFFECT, IS OF NO LESSER QUALITY THAN YOUR EXISTING AM MONO TUNER/RECEIVER.**

## ■ Caution for AC Mains Lead (For United Kingdom)

(“EB” area code model only)

For your safety, please read the following text carefully.

This appliance is supplied with a moulded three pin mains plug for your safety and convenience.

A 5-ampere fuse is fitted in this plug.

Should the fuse need to be replaced please ensure that the replacement fuse has a rating of 5-ampere and that it is approved by ASTA or BSI to BS1362.

Check for the ASTA mark  or the BSI mark  on the body of the fuse.

If the plug contains a removable fuse cover you must ensure that it is refitted when the fuse is replaced.

If you lose the fuse cover the plug must not be used until a replacement cover is obtained.

A replacement fuse cover can be purchased from your local dealer.

### CAUTION!

IF THE FITTED MOULDED PLUG IS UNSUITABLE FOR THE SOCKET OUTLET IN YOUR HOME THEN THE FUSE SHOULD BE REMOVED AND THE PLUG CUT OFF AND DISPOSED OF SAFELY.

THERE IS A DANGER OF SEVERE ELECTRICAL SHOCK IF THE CUT OFF PLUG IS INSERTED INTO ANY 13-AMPERE SOCKET.

If a new plug is to be fitted please observe the wiring code as shown below.

If in any doubt please consult a qualified electrician.

### IMPORTANT

The wires in this mains lead are coloured in accordance with the following code:

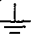
Blue: Neutral

Brown: Live

As the colours of the wires in the mains lead of this appliance may not correspond with the coloured markings identifying the terminals in your plug, proceed as follows:

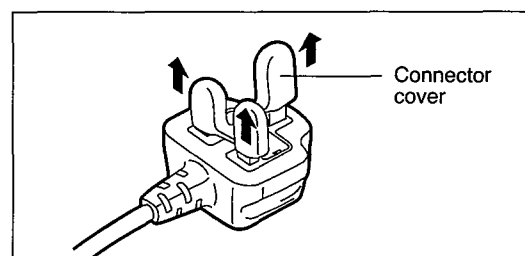
The wire which is coloured BLUE must be connected to the terminal in the plug which is marked with the letter N or coloured BLACK.

The wire which is coloured BROWN must be connected to the terminal in the plug which is marked with the letter L or coloured RED.

Under no circumstances should either of these wires be connected to the earth terminal of the three pin plug, marked with the letter E or the Earth Symbol .

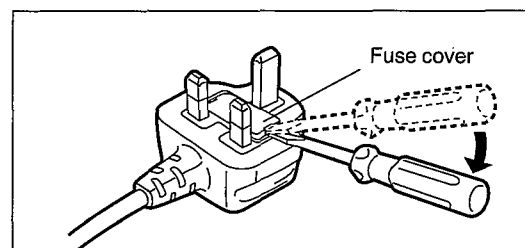
### Before use

Remove the connector cover as follows.

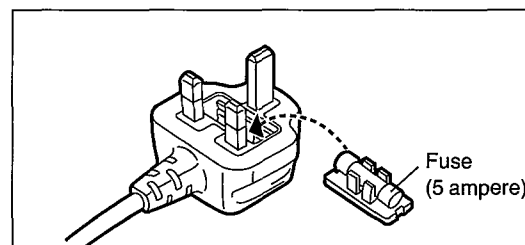


### How to replace the fuse

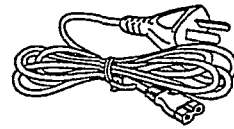
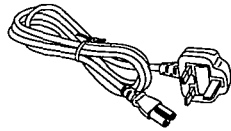
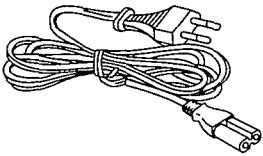
1. Remove the fuse cover with a screwdriver.



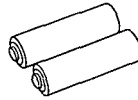
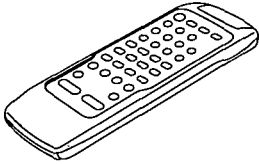
2. Replace the fuse and attach the fuse cover.



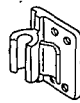
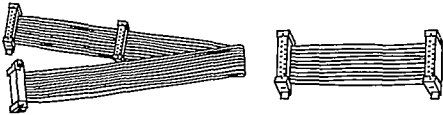
## ■ Accessories



- AC power supply cord  
for (E) (EG) (GC) areas (RJA0019-2K) ... 1 pc.      for (EB) area (VJA0733)..... 1 pc.      for (GN) area (RJA0036-K) .. 1 pc.



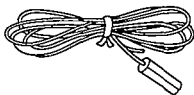
- Remote control transmitter (RAK-CH115WH) ..... 1 pc.
- Remote control batteries (UM-4, AAA, R03) ..... 2 pcs.  
**Note:** These are available on sale route.



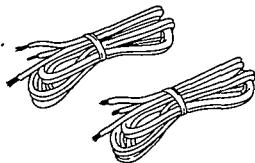
- Flat cable  
Long (REX0511) ..... 1 pc.  
Short (REX0512) ..... 1 pc.
- Antenna holder  
for (E) (EB) (EG) (GN) areas (SMA233-1M) ..... 1 pc.



- LW/MW loop antenna  
for (E) (EB) (EG) (GN) areas (SPB1163T) ..... 1 pc.  
for (GC) area (RSA0010) ..... 1 pc.
- for (GC) area (RMN0244) ..... 1 pc.



- FM indoor antenna  
for (E) (EB) (EG) areas (RSA0007) ..... 1 pc.  
for (GC) (GN) areas (RSA0006) ..... 1 pc.
- Mounting screws  
for (E) (EB) (EG) (GN) areas (XTN3+10AFZ) ..... 2 pcs.  
for (GC) area (XTN3+12AFZ) ..... 1 pc.



- Speaker cords (REE0499) ..... 2 pcs.
- Attachment plug for (EB) area (SJP9009)..... 1 pc.



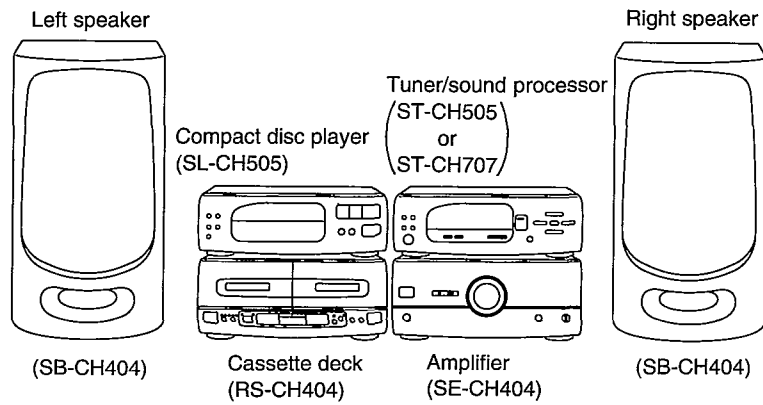
- Power plug adaptor for (GC) area (SJP5213-2) ..... 1 pc.

**Note:**  
The configurations of AC power supply cord and FM indoor antenna differ according to area.

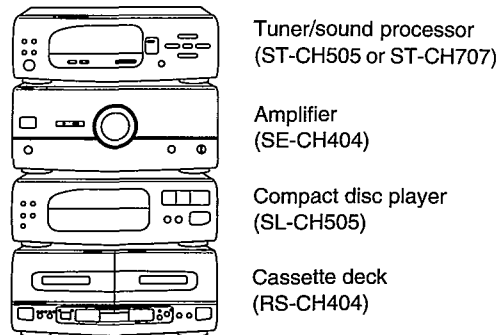
## ■ Stacking the Components

Install the various components as shown below.

### *Horizontal stacking*

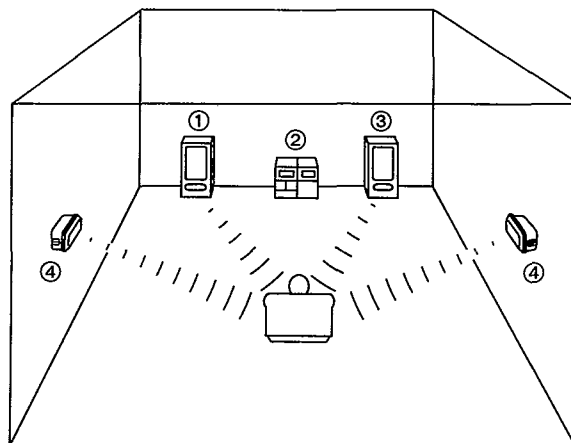


### *Vertical stacking*



### *System layout example*

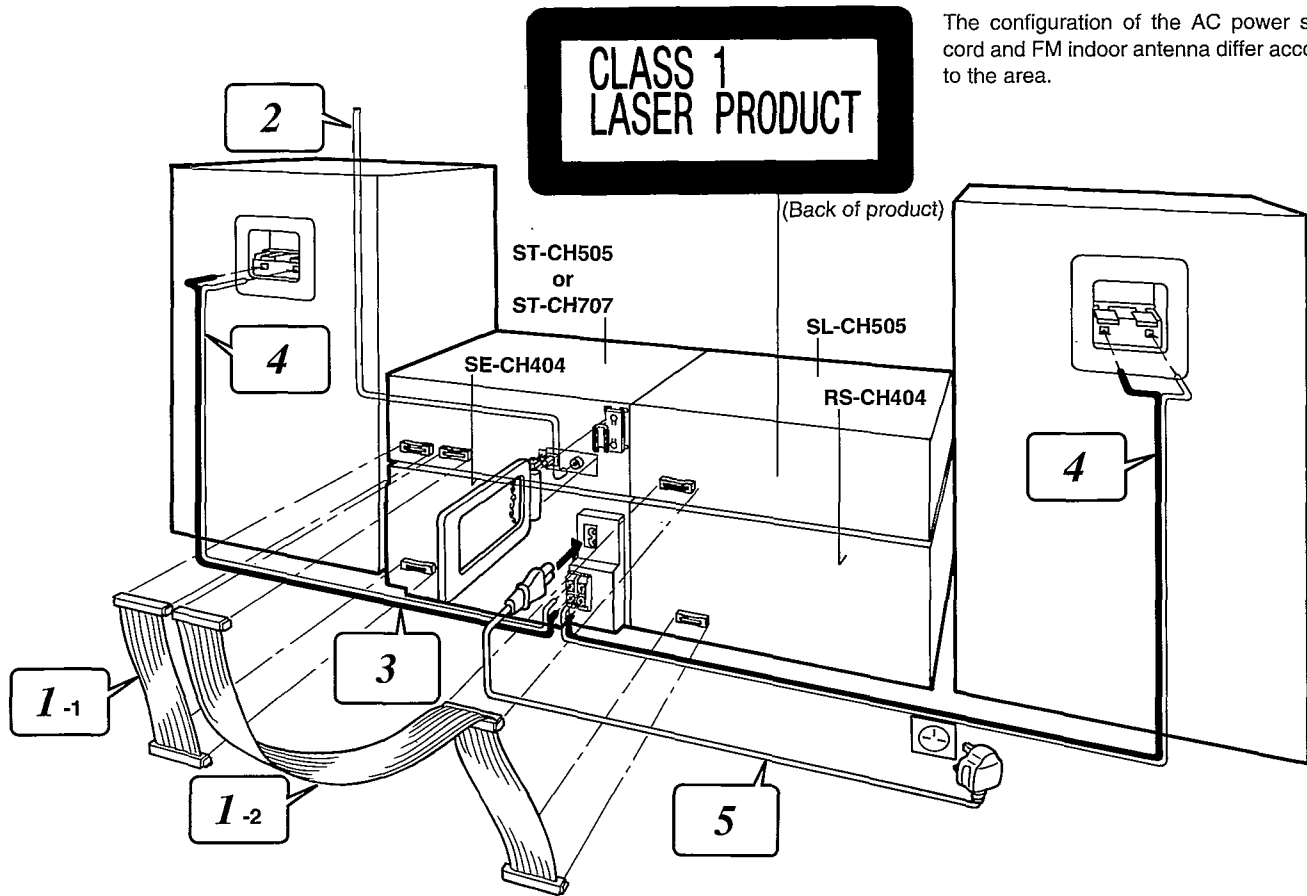
- ① Left speaker
- ② This system
- ③ Right speaker
- ④ Surround speakers



To produce a better stereo sound, install both speakers away from the system.

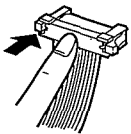
Surround sound effect differs according to where you install the surround speakers. Install them as you like.

## ■ Connections

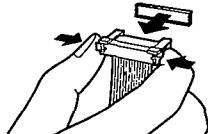


### 1 Connect the flat cable.

Connecting



Disconnecting

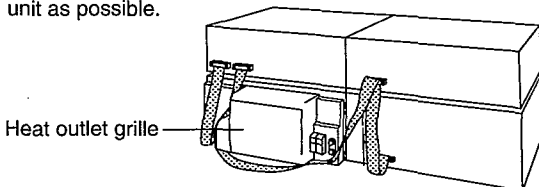


1. Connect the shorter flat cable to the terminal of the tuner/sound processor and amplifier.
2. Connect the longer flat cable to the terminal of the tuner/sound processor, compact disc player, and cassette deck.

Route the cable horizontally (underneath the heat outlet grille) so that the side with the white-coloured lead is positioned at the front.

Be sure to connect the blue-coloured connector to B1 (tuner/sound processor).

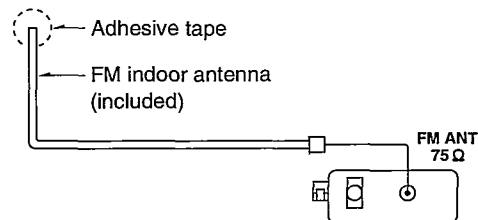
After connection, fold and press the cable as flat to the back of the unit as possible.



**Do not try connecting or disconnecting the flat cable while the power is switched to ON.**

### 2 Connect the FM indoor antenna.

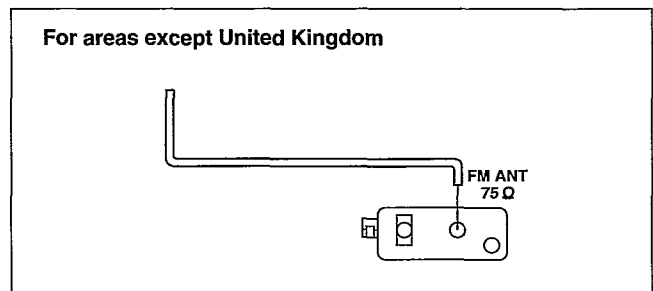
Install the antenna on a wall at a height and in a direction which result in the best reception.



The tip of the internal antenna wire should not come into contact with any metal objects.

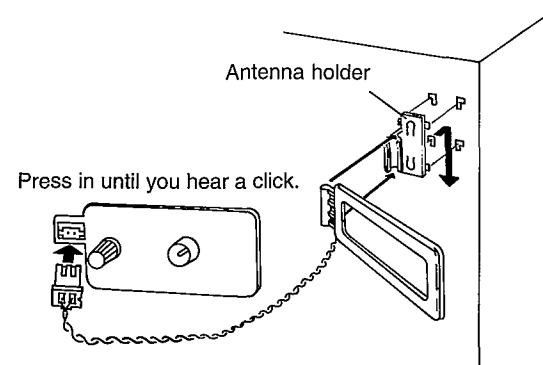
When you cannot get a good reception with this FM indoor antenna, we recommend you install an FM outdoor antenna. (Not included. See page 8.)

#### For areas except United Kingdom

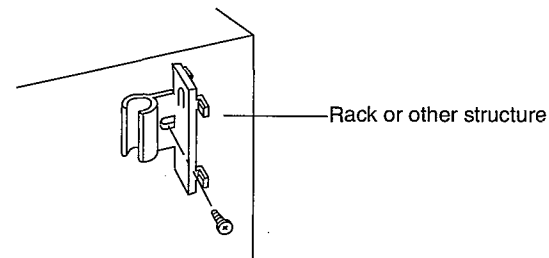


### 3 Connect the LW/MW loop antenna.

1. Attach the antenna holder to the rear panel of the tuner/sound processor.
2. Clamp the antenna to the antenna holder and connect the antenna terminal to the rear panel of the tuner/sound processor.
3. Position the loop for the best reception.



You may attach the LW/MW antenna holder with screw (included) to a rack or other structure. In this case, attach as showed in the figure below.



#### Note

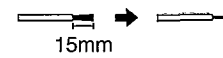
To minimize noise pickup, keep the LW/MW loop antenna cord along the heat outlet grille, and away from the flat cables.

### 4 Connect the right (R) and left (L) speaker cables.

#### Notes

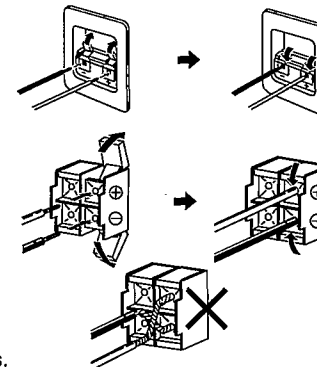
- Be sure to connect speaker cables before connecting the AC power supply cord.
- The load impedance of any speaker used with this unit must be 6–8Ω.
- Match the two wires from the left and right speaker cables with the same coloured levers of the speaker terminals, then insert the wires into the respective terminals.

1. Strip off the outer covering, and twist the center conductor.



Make sure the bare ends of the wires are not unraveled. (If they are, twist them tight again.)

2. Insert the wire to the rear panel of the speakers, and then pull down the lever.
3. Insert the wire to the rear panel of the amplifier, and close the lever.



#### Notes

- To prevent damage to circuitry, never short-circuit positive (+) and negative (–) speaker wires.
- Be sure to connect only positive (red) wires to positive (+) terminals and negative (black) wires to negative (–) terminals.

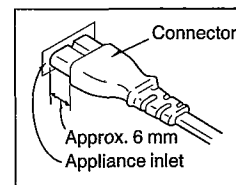
#### For United Kingdom

**BE SURE TO READ THE CAUTION FOR AC MAINS LEAD ON PAGE 3 BEFORE PROCEEDING TO STEP 5.**

### 5 Connect the AC power supply cord after you have connected all other cables.

#### For United Kingdom Insertion of Connector

Even when the connector is perfectly inserted, depending on the type of inlet used, the front part of the connector may jut out as shown in the drawing. However there is no problem using the unit.



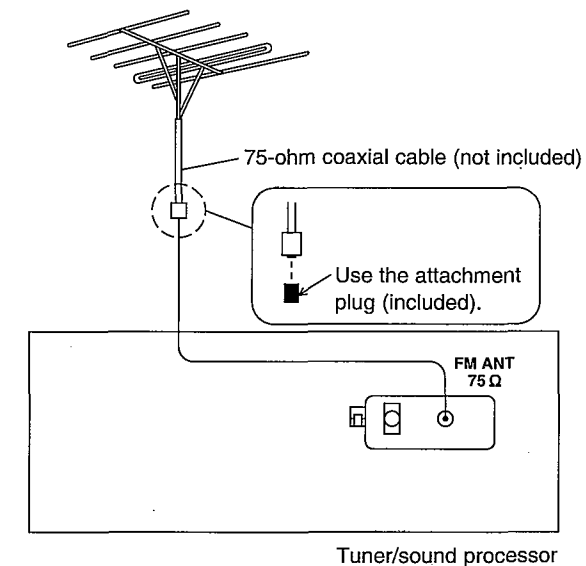
### Optional antenna connections

#### FM outdoor antenna (not included)

If the FM indoor antenna does not provide satisfactory reception of FM broadcasts, use an outdoor antenna.

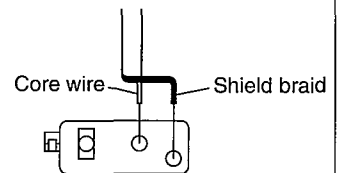
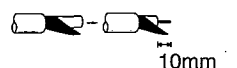
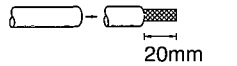
You may need an outdoor antenna if you use this system in a mountainous region or inside a reinforced-concrete building, etc. An outdoor antenna should be installed by a competent technician only.

#### FM outdoor antenna



#### For areas except United Kingdom (FM outdoor antenna)

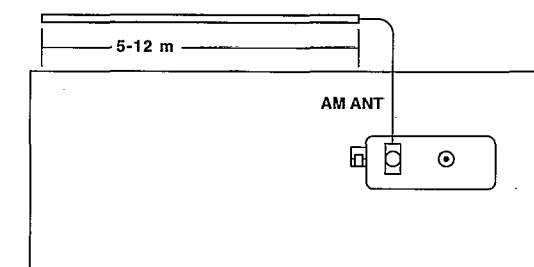
1. Remove a piece of the outer vinyl sheath from the end.
2. Bundle the shield braid, and remove a piece of the inner vinyl sheath covering the core wire.
3. Connect the core wire and the shield braid.



#### LW/MW outdoor antenna (not included)

An outdoor antenna may be required in a mountainous region, or if this system is located inside a reinforced-concrete building, etc.

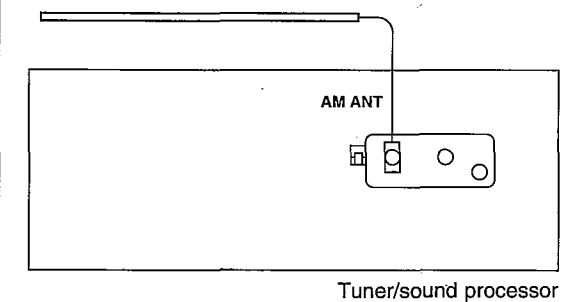
Run 5 to 12 m of vinyl-covered wire horizontally along a window or other convenient location.



#### Note

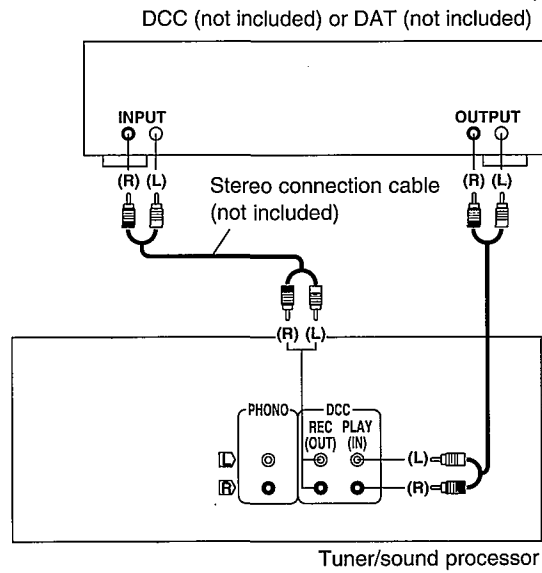
Do not remove the LW/MW loop antenna.

#### For areas except United Kingdom (LW/MW outdoor antenna)

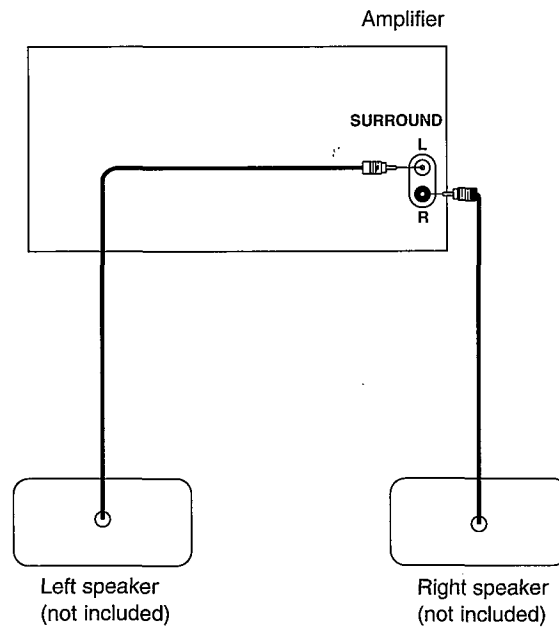


## External unit connection

### DCC (digital compact cassette deck) or DAT (digital audio tape deck)



### Rear surround speakers

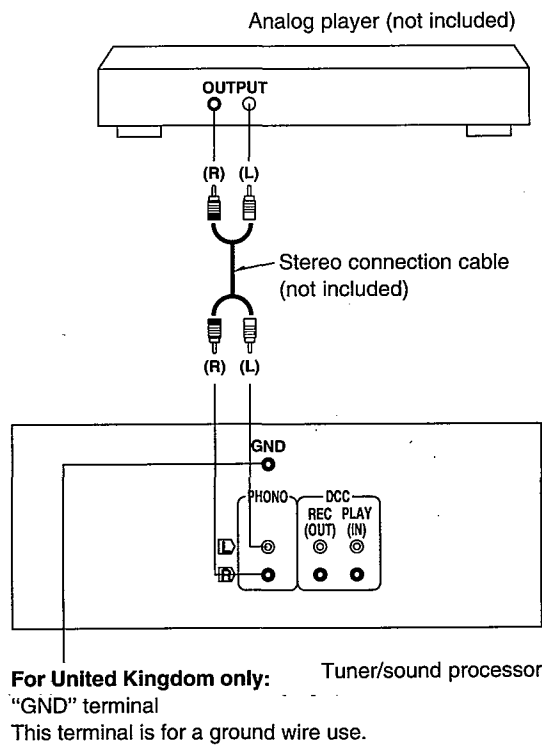


#### Note

Be sure to connect both speaker systems. If only one side is connected, no sound will be heard.

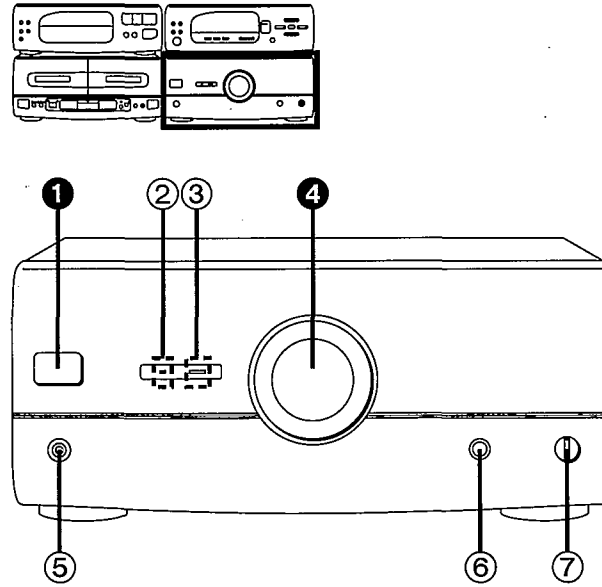
Install each speaker left and right at the back of the listening space.

### Analog player



## Location of Controls

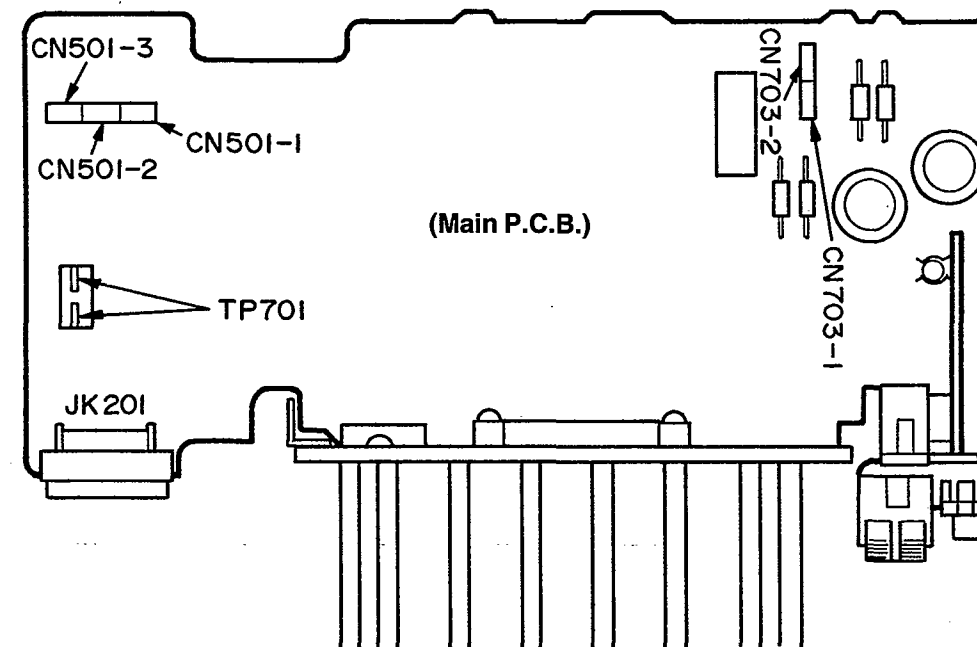
The functions indicated by the numbers with black background (for example ❶) can also be activated from the remote control transmitter.



No.	Name
❶	<b>Power "STANDBY ON/OFF" switch (POWER, STANDBY ON/OFF)</b> Press to switch the unit from on to standby mode or vice versa. In standby mode, the unit is still consuming a small amount of power.
❷	<b>Standby indicator (STANDBY)</b> When the unit is connected to the AC mains supply, this indicator lights up in standby mode and goes out when the unit is turned on.
❸	<b>Power indicator (POWER)</b>
❹	<b>Volume control (VOLUME)</b>
❺	<b>Headphones jack (PHONES) (∅3.5, 32Ω)</b>
❻	<b>Microphone jack (MIC) (∅6.2, 600Ω)</b>
❼	<b>Microphone volume control (MIC VOLUME)</b>

## Power ON/OFF for Power Amplifier SE-CH404

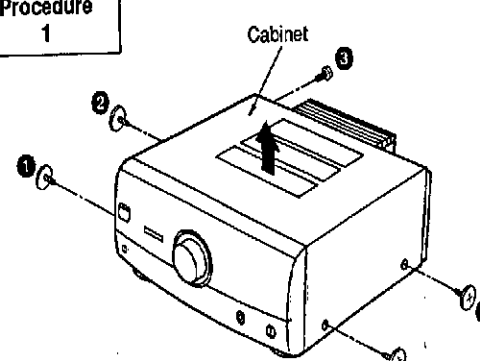
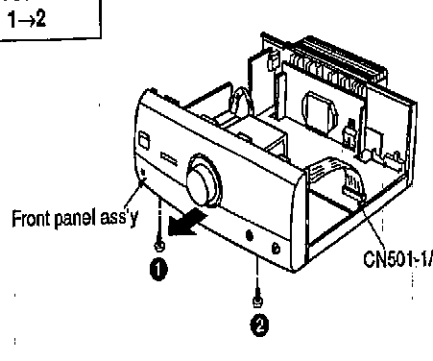
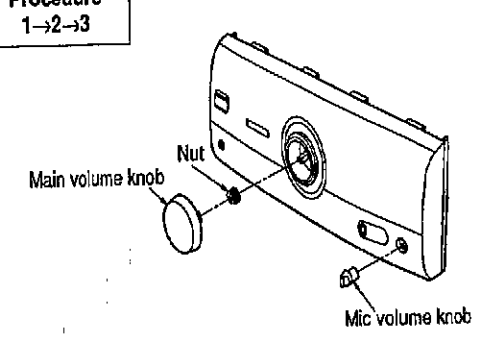
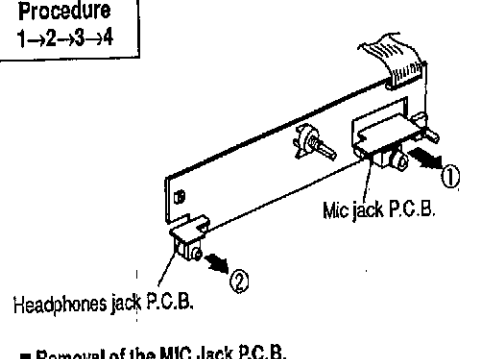
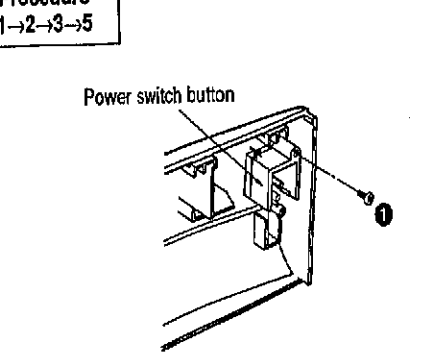
1. Apply 100 V AC power from AC cord. (The unit comes to STAND BY mode.)
2. Short TP701 as shown below  
Power LED lights and the unit comes to power ON mode.  
Since this, ON/OFF mode switching can not performed by pushing the POWER button.





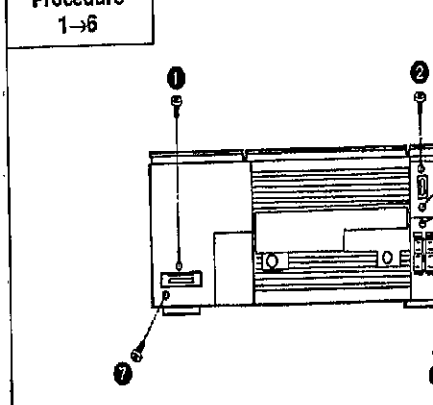
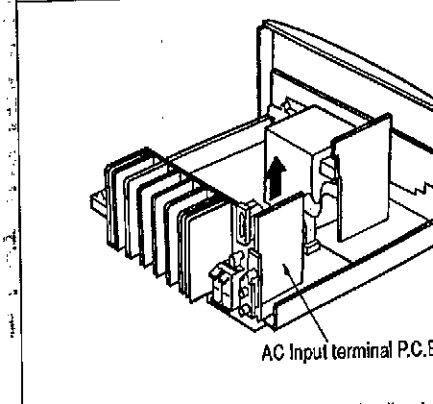
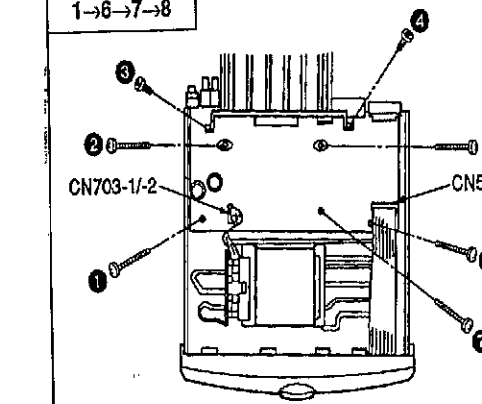
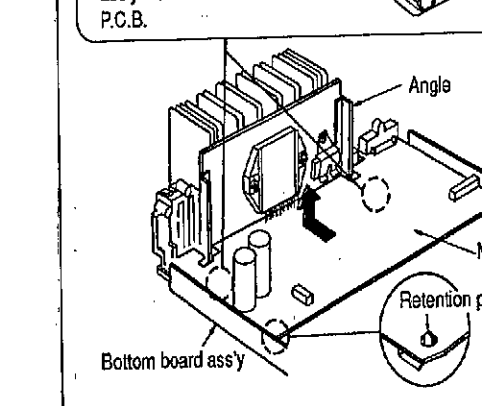
# Disassembly Instructions

**"ATTENTION SERVICER"**  
Some chassis components may have sharp edges. Be careful when disassembling and servicing.

<p><b>Ref. No. 1</b> <b>Removal of the Cabinet</b></p> <p><b>Procedure 1</b></p>  <p>1. Remove 5 screws (1-5). 2. Remove the cabinet in the direction of arrow.</p>	<p><b>Ref. No. 2</b> <b>Removal of the Front Panel Ass'y</b></p> <p><b>Procedure 1-2</b></p>  <p>1. Remove the 1 connector (CN501-1/2/3). 2. Remove the 2 screws (1, 2). 3. Remove the front panel ass'y in the direction of arrow.</p>
<p><b>Ref. No. 3</b> <b>Removal of the Volume P.C.B.</b></p> <p><b>Procedure 1-2-3</b></p>  <p>1. Pull out the main volum knob. 2. Pull out the mic volume knob. 3. Remove the nut.</p>	<p><b>Ref. No. 4</b> <b>Removal of the Mic Jack P.C.B. and Headphones Jack P.C.B.</b></p> <p><b>Procedure 1-2-3-4</b></p>  <p><b>Removal of the MIC Jack P.C.B.</b> Remove the mic jack P.C.B. in the direction of arrow ①.</p> <p><b>Removal of the Headphones Jack P.C.B.</b> Remove the headphones jack P.C.B. in the direction of arrow ②.</p>
	<p><b>Ref. No. 5</b> <b>Removal of the Power Switch Button</b></p> <p><b>Procedure 1-2-3-4-5</b></p>  <p>Remove the 1 screw (1).</p>

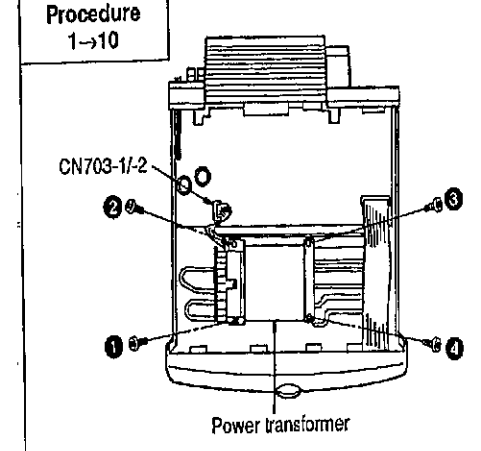
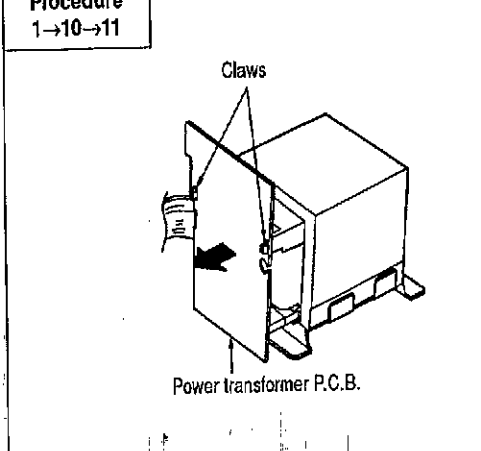
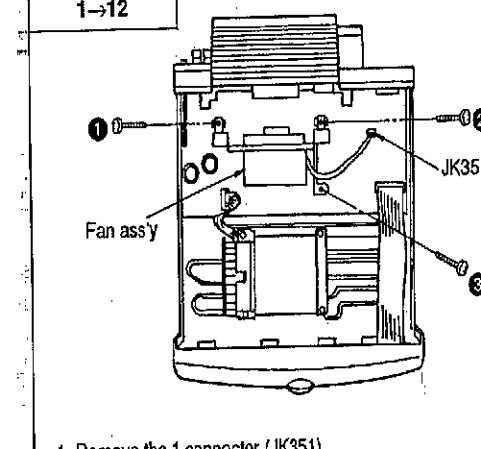
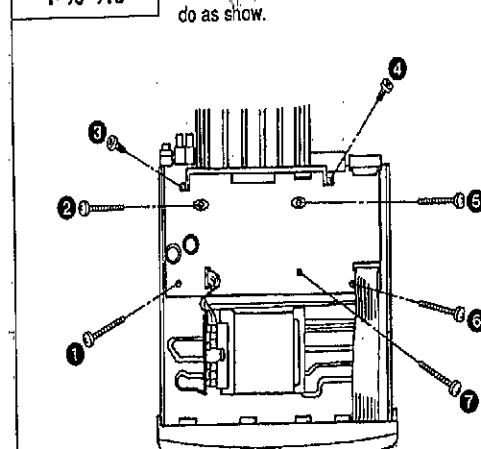
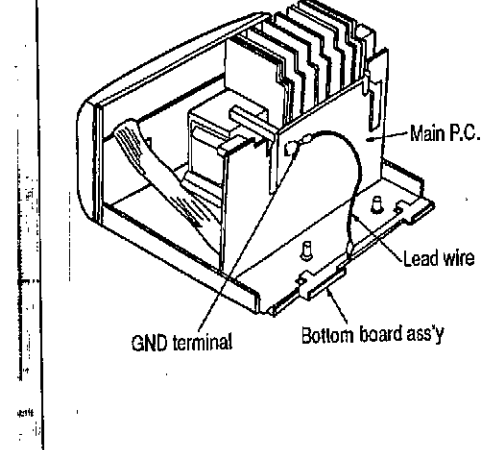
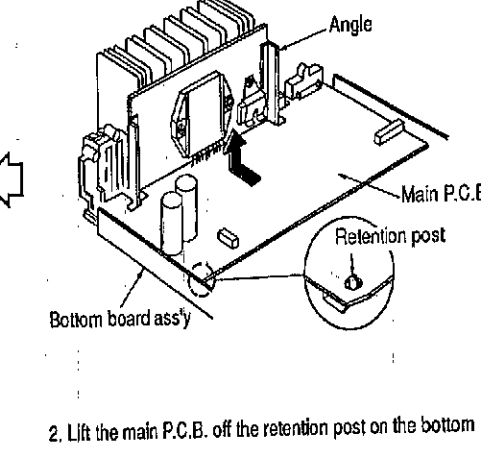
SE-CH404

SE-CH404

<p><b>Ref. No. 6</b> <b>Removal of the Rear Grill Ass'y</b></p> <p><b>Procedure 1-5</b></p>  <p>1. Remove the 7 screws (1-7). 2. Remove the 2 ribs. 3. Remove the rear grill ass'y in the direction of arrow.</p>	<p><b>Ref. No. 7</b> <b>Removal of the AC Input Terminal P.C.B.</b></p> <p><b>Procedure 1-6-7</b></p>  <p>Remove the AC input terminal P.C.B. in the direction of arrow.</p>	<p><b>Ref. No. 8</b> <b>Removal of the Main P.C.B.</b></p> <p><b>Procedure 1-6-7-8</b></p>  <p>1. Remove the 7 screws (1-7). 2. Remove the 2 connector (CN501-1/2/3, CN703-1/2).</p>	<p><b>Ref. No. 9</b> <b>Removal of the Power IC and Regulator Transistor</b></p> <p><b>Procedure 1-2-3-4-5</b></p>  <p>1. Unsolder the power IC or regulator transistors. 2. Remove the 3 screws (1-3).</p> <p><b>NOTE</b> Insert the projection on the angle into the hole of the bottom board ass'y and then install the Main P.C.B.</p> <p>3. Lift the main P.C.B. off the retention post on the bottom board ass'y. 4. Remove the main P.C.B. in the direction of arrow.</p>
--	--	--	---

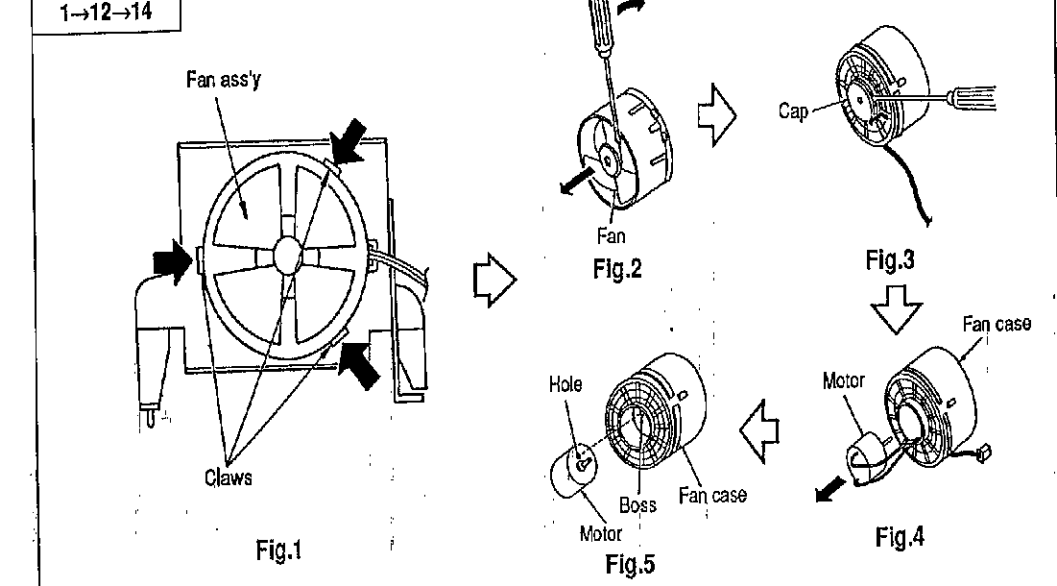
SE-CH404

SE-CH404

<p><b>Ref. No. 10</b> <b>Removal of the Power Transformer</b></p> <p><b>Procedure 1-10</b></p>  <p>1. Remove the 1 connector (CN703-1/2). 2. Remove the 4 screws (1-4).</p>	<p><b>Ref. No. 11</b> <b>Removal of the Power Transformer P.C.B.</b></p> <p><b>Procedure 1-10-11</b></p>  <p>Release the 2 claws and then remove the power transformer P.C.B. in the direction of arrow.</p>
<p><b>Ref. No. 12</b> <b>Removal of the Fan Ass'y</b></p> <p><b>Procedure 1-12</b></p> <p>※For [GC], [GN] areas</p>  <p>1. Remove the 1 connector (JK351). 2. Remove the 3 screws (1-3).</p>	<p><b>Ref. No. 13</b> <b>How to check the Main P.C.B.</b></p> <p><b>Procedure 1-6-7-13</b></p>  <p>When checking the soldered surfaces of main P.C.B. and replacing the parts, do as show.</p>
<p><b>Ref. No. 14</b> <b>Removal of the Fan Ass'y</b></p> <p><b>Procedure 1-12-14</b></p>  <p>4. Connect the GND terminal to the bottom board ass'y by the lead wire.</p>	<p><b>Ref. No. 14</b> <b>Removal of the Fan Ass'y</b></p> <p><b>Procedure 1-12-14</b></p>  <p>2. Lift the main P.C.B. off the retention post on the bottom board ass'y. 3. Remove the main P.C.B. in the direction of arrow.</p>

**Ref. No. 14**  
**Removal of the Fan Ass'y**

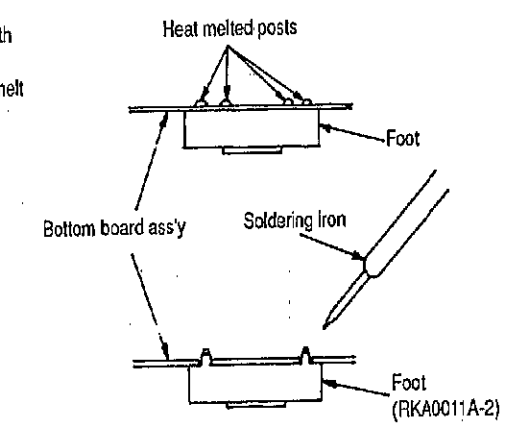
**Procedure 1-12-14**

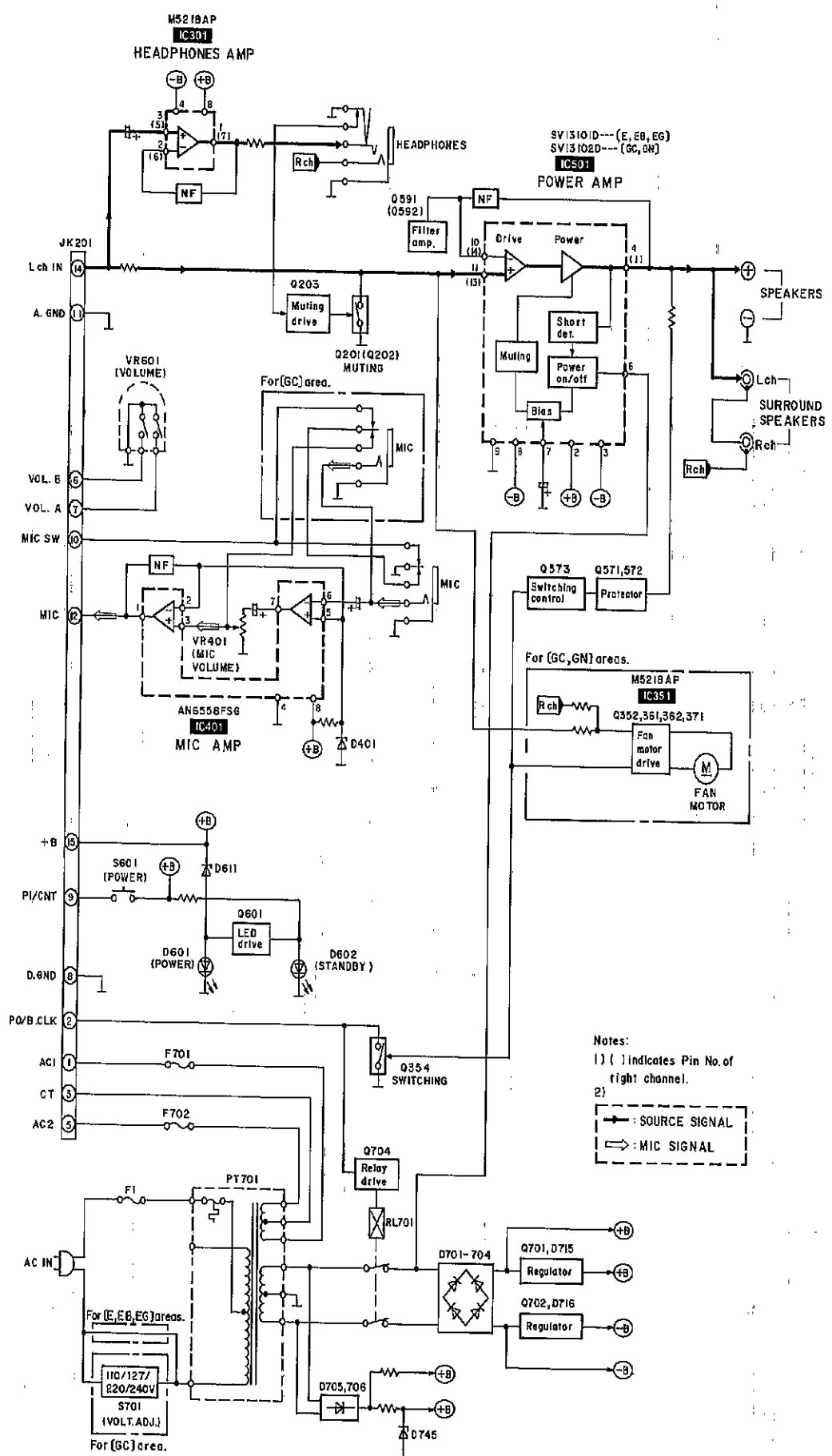


1. Release the 3 claws (shown in Fig. 1).  
2. Insert a screwdriver at the root of the fan (shown in Fig. 2).  
3. Remove the cap (shown in Fig. 3).  
4. Remove the motor from the fan case (shown in Fig. 4).  
5. When mounting the motor, align the fan case projection with the hole of the motor (shown in Fig. 5).

### Replacement of the Foot

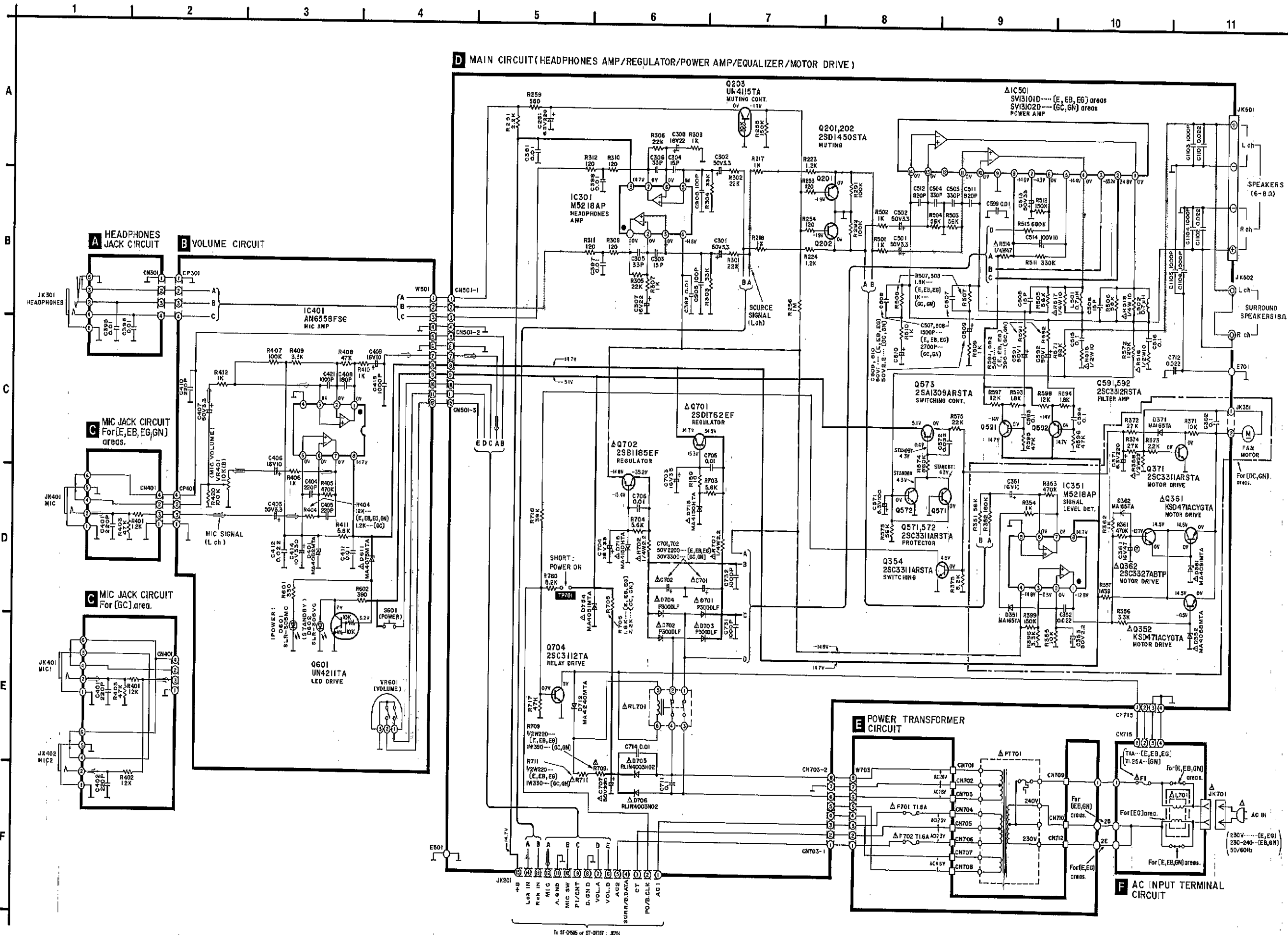
1. Remove the 4 heat melted posts on the Bottom board ass'y with a pair of rippers or similar tool.
2. To replace the foot (RKA0011A-2) on the Bottom board ass'y melt the 4 posts with a soldering iron.





Notes:  
 1) ( ) indicates Pin No. of tight channel.  
 2) — SOURCE SIGNAL  
 - - - MIC SIGNAL

Schematic Diagram (Parts list on pages 22~24)



Notes:

- S601 : Power "STANDBY ON" switch. (POWER, ■ STANDBY ○ ON)
- S701 : Voltage select switch in "220-240 V" position (VOLT ADJ.) for (GC) area
- VR401 : Microphone volume control (MIC VOLUME)
- VR601 : Volume control (VOLUME)

•Indicated voltage values are the standard values for the unit measured by the DC electronic circuit tester (high-impedance) with the chassis taken as standard. Therefore, there may exist some errors in the voltage values, depending on the internal impedance of the DC circuit tester. No mark : Power ON

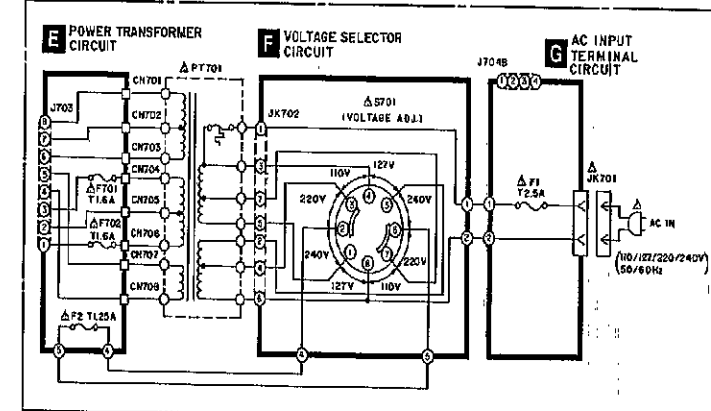
•Important safety notice:  
 Components identified by Δ mark have special characteristics important for safety. Furthermore, special parts which have purposes of fire-retardant (resistors), high-quality sound (capacitors), low-noise (resistors), etc. are used. When replacing any of components, be sure to use only manufacturer's specified parts shown in the parts list.

•This schematic diagram may be modified at any time with the development of new technology.

•Caution!  
 IC and LSI are sensitive to static electricity. Secondary trouble can be prevented by taking care during repair. Cover the parts boxes made of plastics with aluminum foil. Ground the soldering iron. Put a conductive mat on the work table. Do not touch the legs of IC or LSI with the fingers directly.

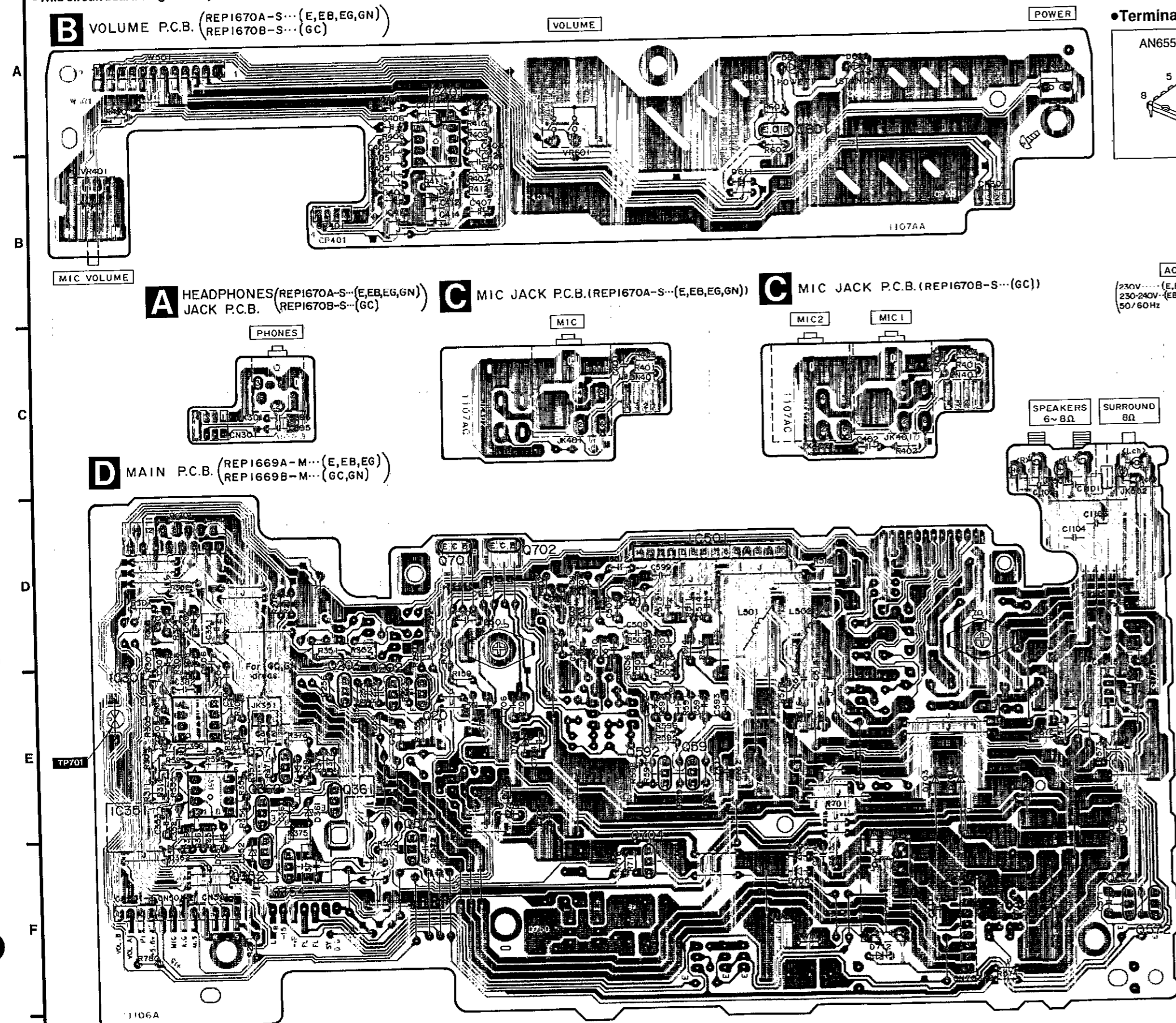
- Voltage and signal line
- : Positive voltage line
- - - : Negative voltage line
- : Source signal line
- : Mic signal (Lch)

Power Source For (GC) area

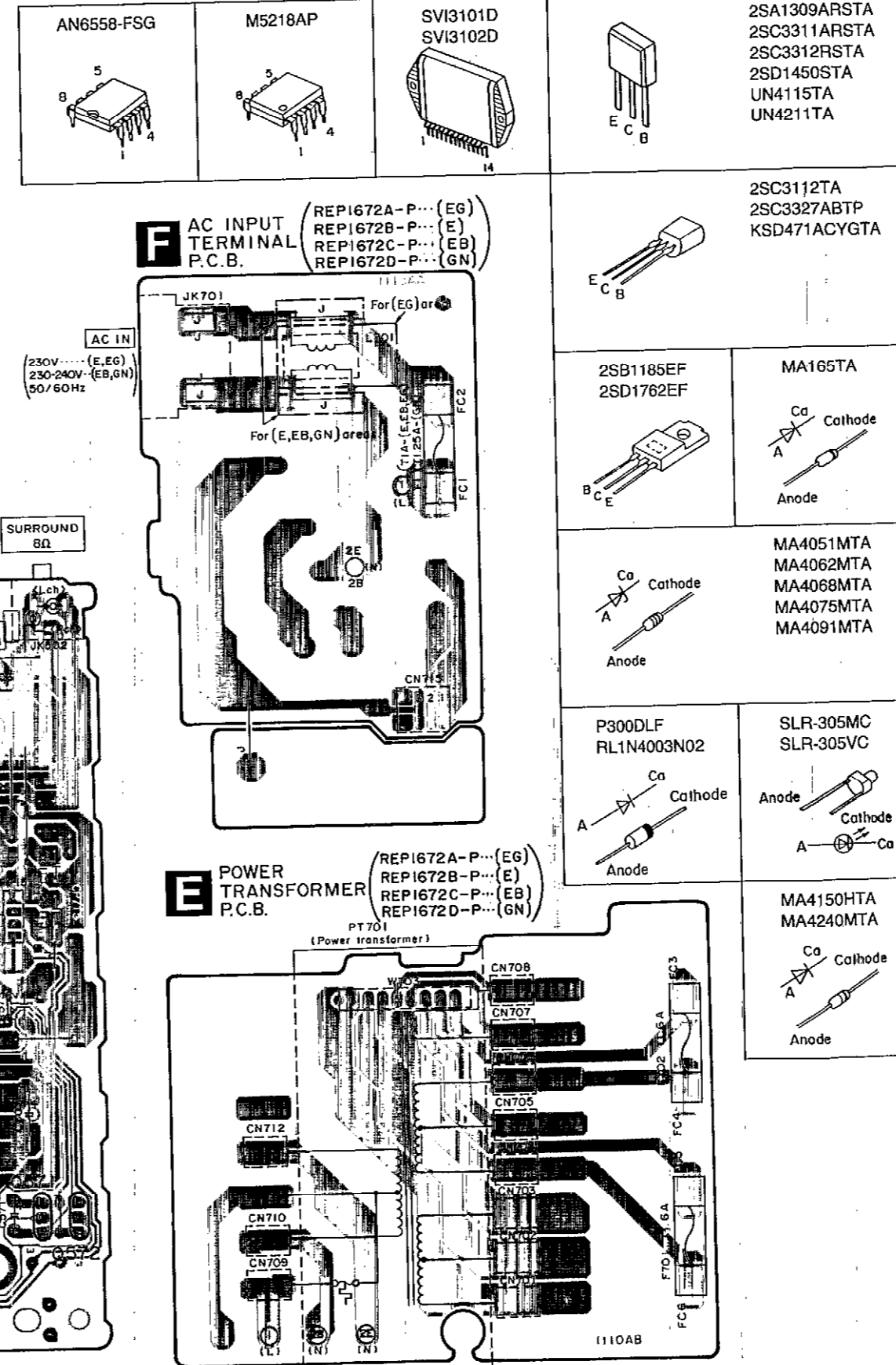


### Printed Circuit Board Diagram (Parts list on pages 22~24)

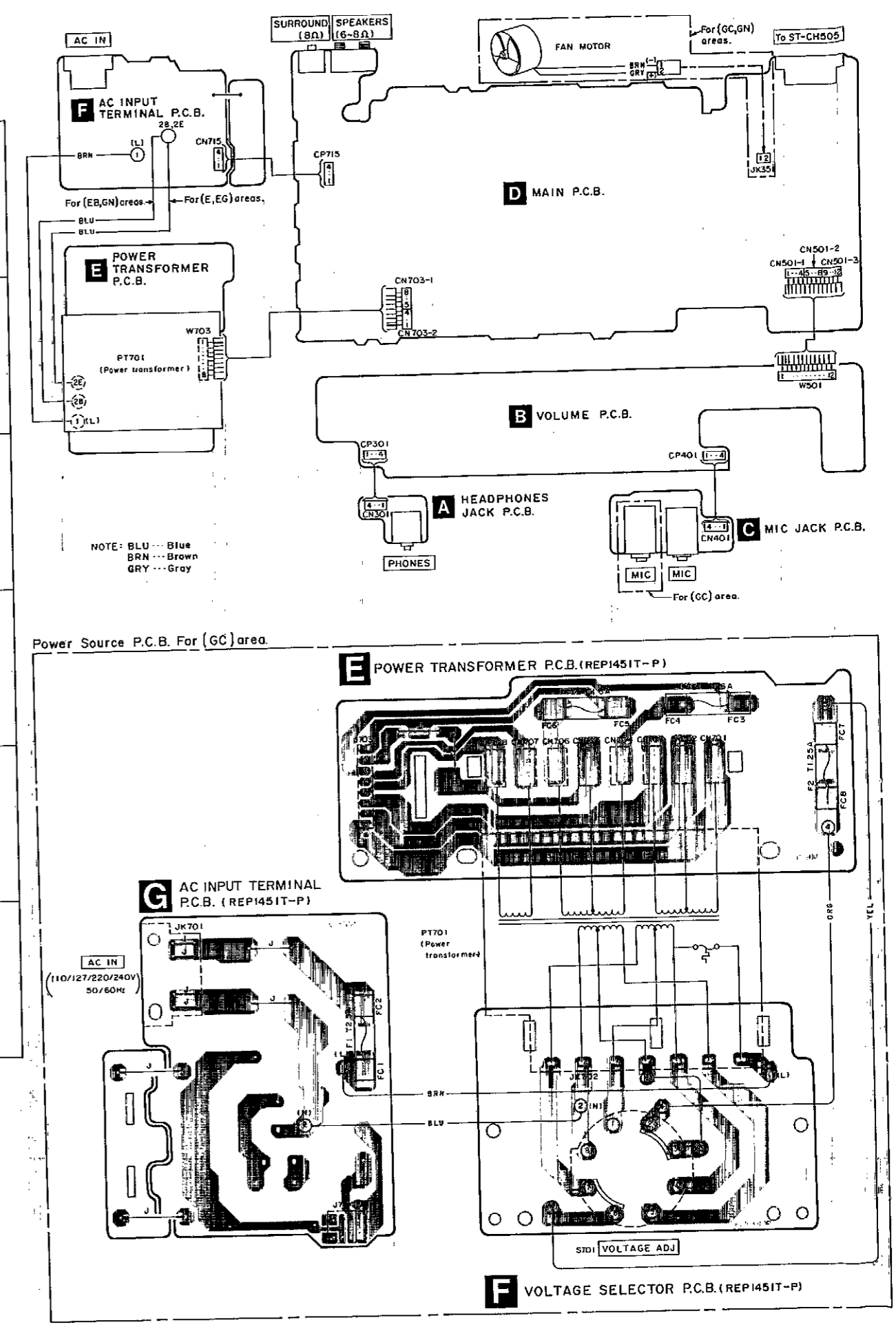
•This circuit board diagram may be modified at any time with the development of new technology.



### Terminal guide of IC's, transistors and diodes



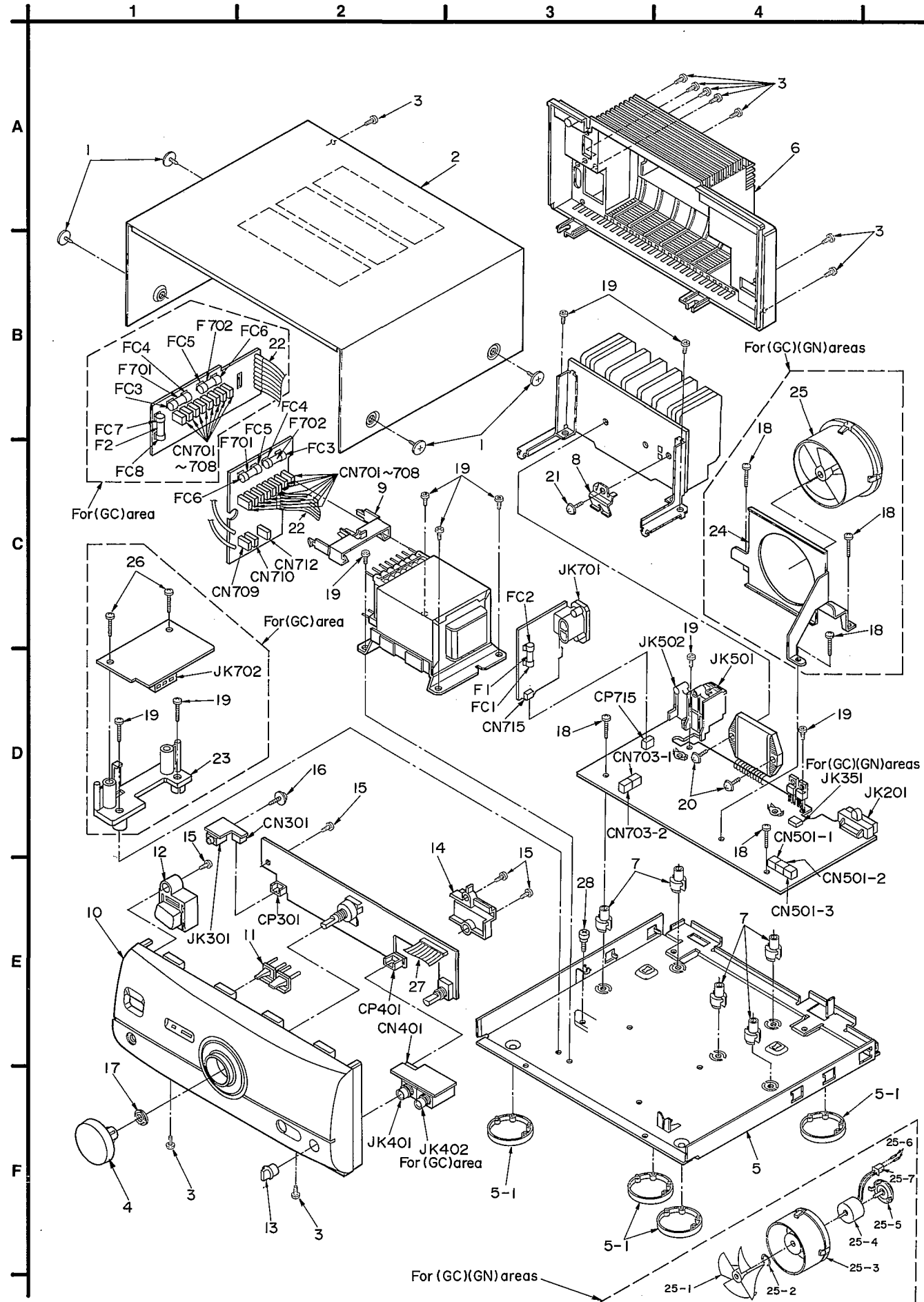
### Wiring Connection Diagram





■ Cabinet Parts Location

Ref. No.	Part No.	Part Name & Description	Remarks	Ref. No.	Part No.	Part Name & Description	Remarks
		CABINET PARTS				PACKING MATERIALS	
1	RHD30007	SCREW		P1	RPG1719	PACKING CASE (SYSTEM)	(E) (EG)
2	RKM0202B-1K	CABINET		P1	RPG1735	PACKING CASE (SYSTEM)	(EB)
3	XTBS3+8JFZ1	SCREW		P1	RPG1740	PACKING CASE (SYSTEM)	(GC)
4	RGW0183-K	KNOB, MAIN VOLUME		P1	RPG1757	PACKING CASE (SYSTEM)	(GN)
5	RFKJECH404EK	BOTTOM BOARD ASS'Y	(E) (EB) (EG) (GN)	P2	RPG1314	PACKING CASE (CD/TUNER)	
5	RFKJECH404GC	BOTTOM BOARD ASS'Y	(GC)	P3	RPG1312	PACKING CASE (AMPLIFIER)	
5-1	RKA0011A-2	FOOT		P4	RPG1313	PACKING CASE (DECK)	
6	RFKHECH404EB	REAR GRILL ASS'Y	(EB)	P5	RPNO719	PAD (CD/TUNER)	
6	RFKHECH404EG	REAR GRILL ASS'Y	(EG)	P6	RPNO720	PAD (AMPLIFIER)	
6	RFKHECH404GC	REAR GRILL ASS'Y	(GC)	P7	RPNO721	PAD (DECK)	
6	RFKHECH404GN	REAR GRILL ASS'Y	(GN)	P8	XZB45X50A01Z	PROTECTION COVER	
6	RKF0331-K	REAR GRILL	(E)	P9	RPQF0047	ACCESSORY BOX	
7	RKQ0089	P. C. B. SPACER		P10	RPQ0244	SPACER	
8	FMCO158	TRANSISTOR HOLDER		P11	XZB22X20C03	PROTECTION COVER	
9	FMNO191	HOLDER				ACCESSORIES	
10	RFKGECH404EK	FRONT PANEL ASS'Y	(E) (EB) (EG) (GN)	A1	RAK-CH115WH	REMOTE CONTROL TRANSMITTER	
10	RFKGECH404GC	FRONT PANEL ASS'Y	(GC)	A1-1	RKK0057-K	BATTERY COVER	
11	RGL0210-Q	PANEL LIGHT		A2	REE0499	SPEAKER CORD	
12	RGU0939-K	BUTTON, POWER		A3	REX0511	FLAT CABLE (15P) (BLACK TYPE)	
13	RGW0178-K	KNOB, MIC		A4	REX0512	FLAT CABLE (15P) (WHITE TYPE)	
14	FMNO232	HOLDER		A5	RJA0019-2K	AC POWER SUPPLY CORD	△ (E) (EG) (GC) (SF)
15	XTBS26+8J	SCREW		A5	VJA0733	AC POWER SUPPLY CORD	△ (EB) (SF)
16	XTWS3+10T	SCREW		A5	RJA0036-K	AC POWER SUPPLY CORD	△ (GN)
17	SNE4021-1	NUT		A6	RFKSECH404EK	INSTRUCTIONS MANUAL	(E)
18	XTB3+20JFZ	SCREW		A6	RFKSECH404EB	INSTRUCTIONS MANUAL	(EB)
19	XTB3+8JFZ	SCREW		A6	RFKSECH404EG	INSTRUCTIONS MANUAL	(EG)
20	XTW3+15T	SCREW		A6	RQT2108-G	INSTRUCTIONS MANUAL	(GC)
21	XTW3+8T	SCREW		A6	RFKSECH404GN	INSTRUCTIONS MANUAL	(GN)
22	REZ0538	FLAT CABLE (J703)	(GC)	A7	RQA0013	WARRANTY CARD	(E) (EB) (EG)
22	REZ0606	FLAT CABLE (W703)	(E) (EB) (EG) (GN)	A7	RQX7433ZA	WARRANTY CARD	(GN)
23	FMNO190	P. C. B. SPACER	(GC)	A8	RQCB0169	SERVICE CENTER LIST	
24	FMNO215	FAN ANGLE	(GC) (GN)	A9	RSA0007	FM INDOOR ANTENNA	(E) (EB) (EG)
25	SYE1128-4	FAN ASS'Y	(GC) (GN)	A9	RSA0006	FM INDOOR ANTENNA	(GC) (GN)
25-1	SHE232	FAN	(GC) (GN)	A10	SPB1163T	AM LOOP ANTENNA	(E) (EB) (EG) (GN)
25-2	SUS271	SPRING	(GC) (GN)	A10	RSA0010	AM LOOP ANTENNA	(GC)
25-3	SHE233-1	FAN CASE	(GC) (GN)	A10-1	SMA233-1M	ANTENNA HOLDER	(E) (EB) (EG) (GN)
25-4	MDN-4RB4MRC	MOTOR	(GC) (GN)	A10-1	FMNO244	ANTENNA HOLDER	(GC)
25-5	SHE234	CAP	(GC) (GN)	A10-2	XTN3+10AFZ	SCREW	(E) (EB) (EG) (GN)
25-6	SJT783	TERMINAL	(GC) (GN)	A10-2	XTN3+12AFZ	SCREW	(GC)
25-7	SJS215	CONNECTOR (2P)	(GC) (GN)	A11	SJP9009	ATTACHMENT PLUG	△ (EB)
26	XTB3+12JFZ	SCREW	(GC)	A12	SJP5213-2	POWER PLUG ADAPTOR	△ (GC)
27	REZ0608	FLAT CABLE (W501)					
28	RHD30032	SCREW	(E) (EB) (EG) (GN)				



924

■ Packaging

